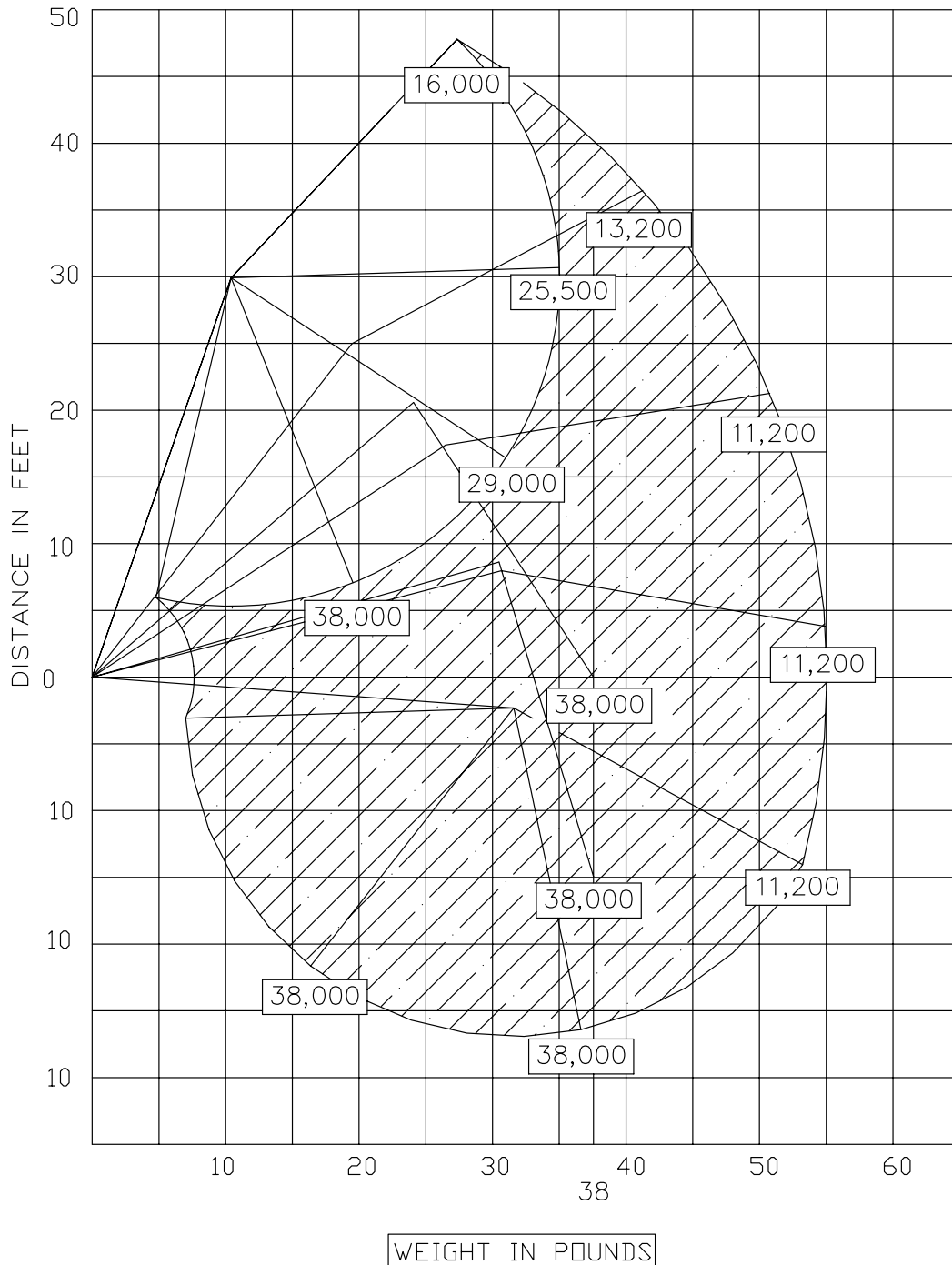


# Allied MARINE CRANE

## LOAD CAPACITY CHART

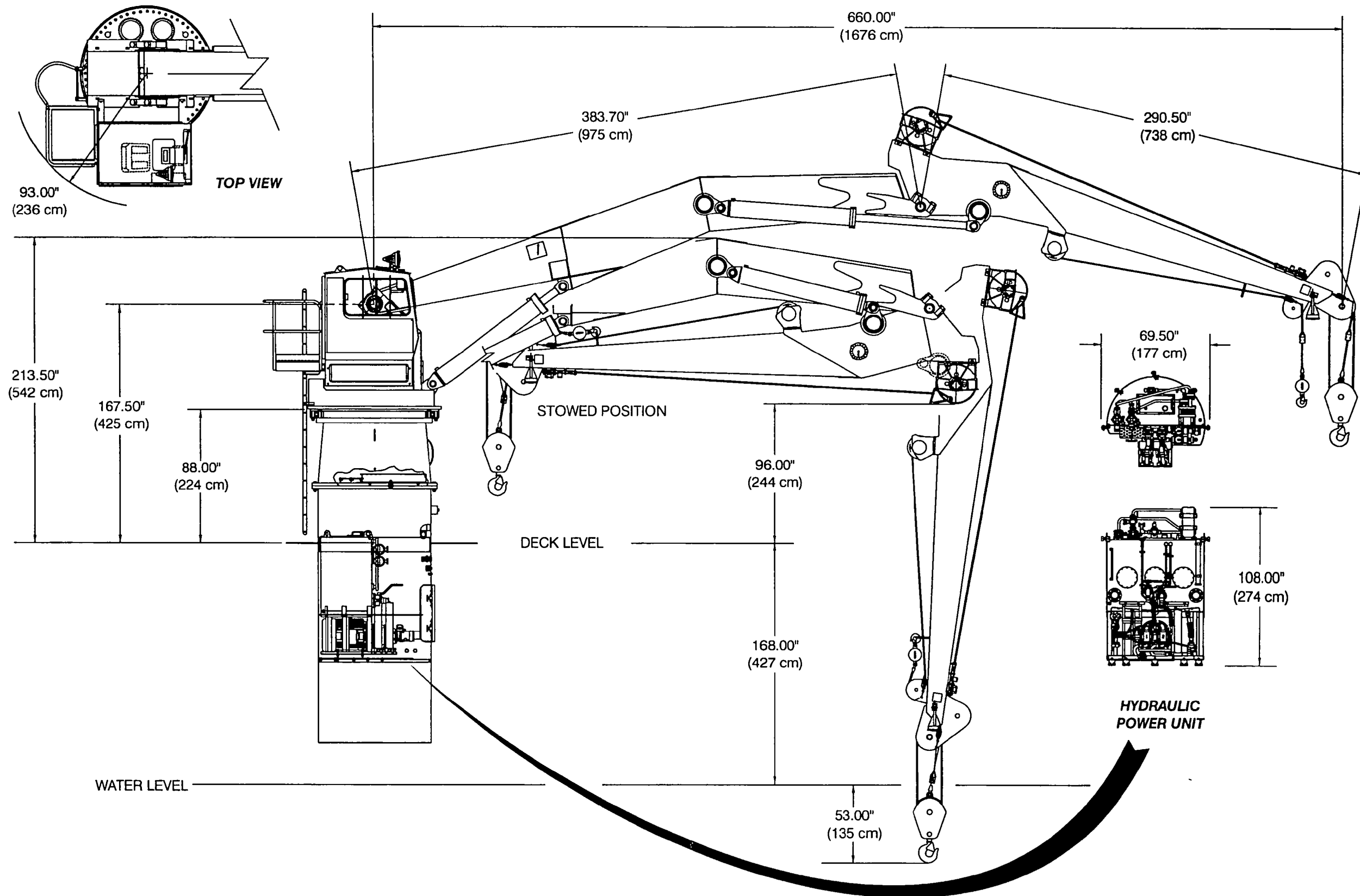


P/N 42024

LOAD CAPACITIES SHOWN ON THIS CHART ARE AT RATED LOAD AND OPERATING CONDITIONS LOADS, INCLUDE WEIGHTS OF REEVING ACCESSORIES.

NOTE: SEE REEVING CHART FOR THE REEVING LOAD CAPACITY

**Figure 1-6 Load Chart - Main**



AMC378  
C40582C

Figure 1-5 Dimensional Data